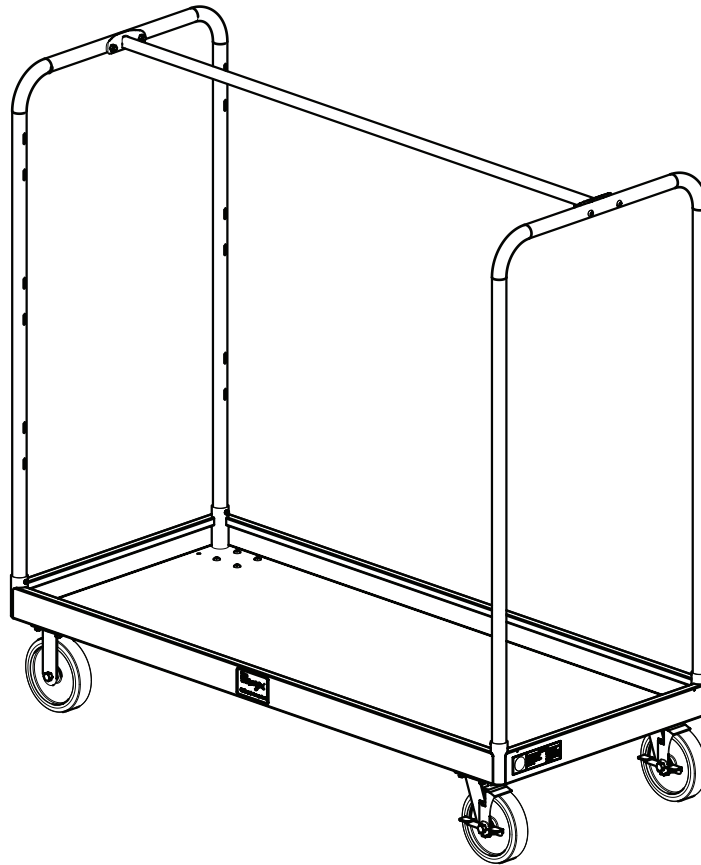




Assembly Instructions and Owner's Manual OnBoard® Cargo Cart



Contents

Important User Information	2	Parts List	4
Safety Precautions	3	Assembly	5
General Operation	3	Operation	7
Before You Begin	4	Maintenance	7
Required Tools	4	Replacement Parts	8
Supplied Hardware	4		



Visit the OnBoard Cargo Cart web page at wengercorp.com for more information.

Note: Please read and understand these instructions before proceeding.
Note: If you need additional information, contact Wenger Corporation using the information below.

Important User Information

General

Copyright © 2024 by Wenger Corporation

All rights reserved. No part of the contents of this manual may be reproduced, copied, or transmitted in any form or by any means including graphic, electronic, or mechanical methods or photocopying, recording, or information storage and retrieval systems without the written permission of the publisher, unless it is for the purchaser's personal use.

Printed and bound in the United States of America.

The information in this manual is subject to change without notice and does not represent a commitment on the part of Wenger Corporation. Wenger Corporation does not assume any responsibility for any errors that may appear in these instructions.

In no event will Wenger Corporation be liable for technical or editorial omissions made herein, nor for direct, indirect, special, incidental, or consequential damages resulting from the use or defect of these instructions. The manufacturer reserves the right to change this product at any time.

The information in this document is not intended to cover all possible conditions and situations that might occur. The end user must exercise caution and common sense when assembling or installing Wenger Corporation products. If any questions or problems arise, call the Wenger Corporation at (800) 4WENGER (493-6437) or +1-507-455-4100 worldwide.

Manufacturer

The OnBoard® Cargo Cart is manufactured by:

Wenger Corporation
555 Park Drive
Owatonna, MN 55060
(800) 4WENGER (493-6437) • +1 (507) 455-4100
wengercorp.com

Intended Use

- This product is intended for indoor use in normal ambient temperature and humidity conditions – it must not be exposed to prolonged outside weather conditions.
- This product is intended to be assembled, installed and used only as described in these instructions.

Warranty

Warranty information is available at wengercorp.com.

Safety Precautions

Throughout this document you may find cautions and warnings which are defined as follows:

- **WARNING:** Failure to follow the instruction could result in serious injury or damage to property.
- **CAUTION:** Failure to follow the instruction could result in minor injury or damage to property.

Read and understand all of these safety instructions before any assembly, installation or use.

⚠ CAUTION

Make sure anyone assembling, installing or using this product has read and understands these instructions.

⚠ CAUTION

Failure to comply with Warnings and Cautions in this document or on the equipment can result in damage to property or serious injury.

⚠ CAUTION

To help avoid damage and injury, two people are recommended for assembly.

General Operation

⚠ CAUTION

- *OnBoard Cargo Cart maximum total load capacity is 600 lb (272 kg).
Cart hanger bar maximum load capacity is 150 lb (68 kg), uniformly distributed.*
- *Unlock all locking casters before attempting to move the cart.*
- *All four casters must be in contact with the floor or ground at all times.*
- *Always distribute the load evenly on the cart. Avoid top-heavy loading.
The top shelf load should never exceed the bottom shelf load.*
- *Avoid ramps steeper than a 1' (305 mm) rise or drop in a 12' (3658 mm) horizontal distance.*
- *Always move slowly up or down a ramp with the narrow end of the cart in the direction of travel and maintain control.*
- *Do not pull or push too high on the cart or step on the side of the base (lower shelf) which may cause the cart to tip over.*
- *Avoid off-center loads which may cause the cart to tip over.*
- *Because swivel casters move in any direction, the operator must move the cart slowly and have a clear view to avoid obstructions and individuals standing in the direction of travel.*
- *If the cart is heavily loaded, two people are always required to move the cart (one pushing at the rear and one guiding at the front).*
- *Lock the two locking casters when the cart is to be left in a stationary position or in storage.*
- *When transporting this product in a vehicle it must be braced in the vehicle with tie-downs, chains or cargo straps designed specifically for that purpose so that the cart cannot move.*
- *When moving the cart do not ride on the cart and do not allow others to ride on the cart.*
- *Do not place hard, sharp or heavy objects on the top shelf.*
- *Use caution when removing objects from the cart or when placing objects on the cart.*
- *Do not allow costumes or other objects to drag on the floor where they may be stepped on or become tangled in the casters.*
- *Do not push with your hands on the outside of the cart when going through doorways or close to walls and obstructions because they are exposed to injury.*

Before You Begin

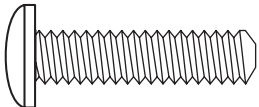
Before beginning the OnBoard Cargo Cart assembly, do the following:

1. Read and understand this Assembly/Operating Instructions.
2. Remove all items from the shipping cartons and arrange the parts similar to the diagram below.
3. Make sure that all parts are present. Item numbers refer to the Parts List.

Required Tools

- 3/8" and 9/16" Wrench
- 3/16" and 7/32" Allen wrench
- Powered screw drive tool (recommended)
- 3/8" Hex nut driver

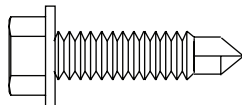
Supplied Hardware



Button Head Cap Screw



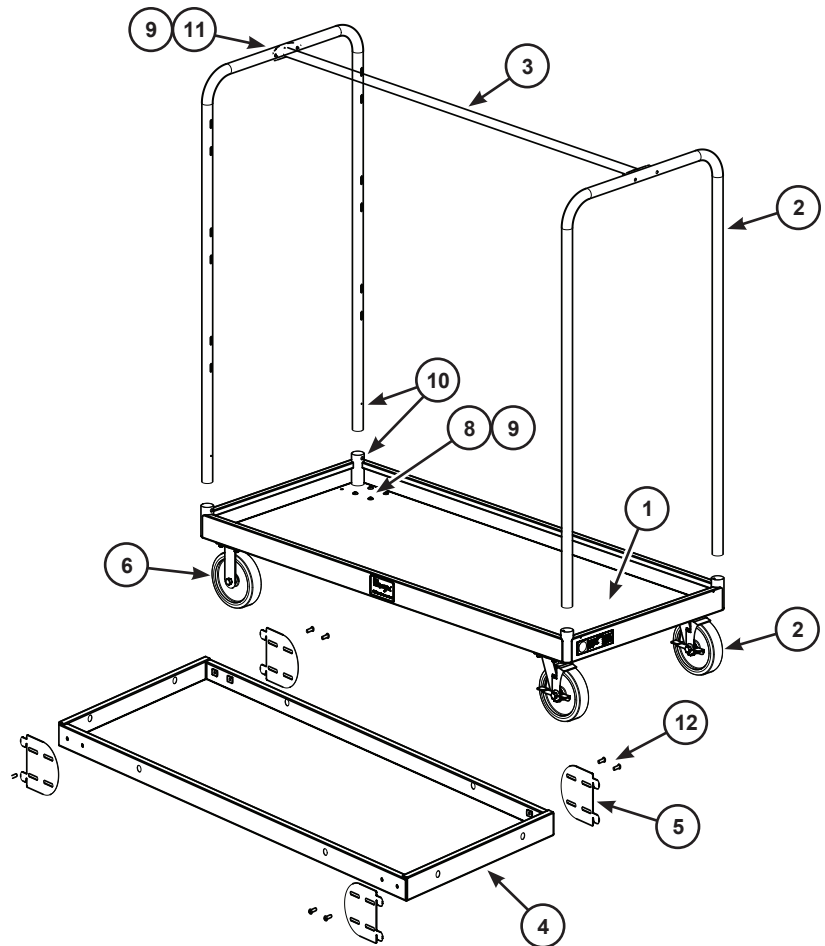
Lock Nut



Self Tapping Screw

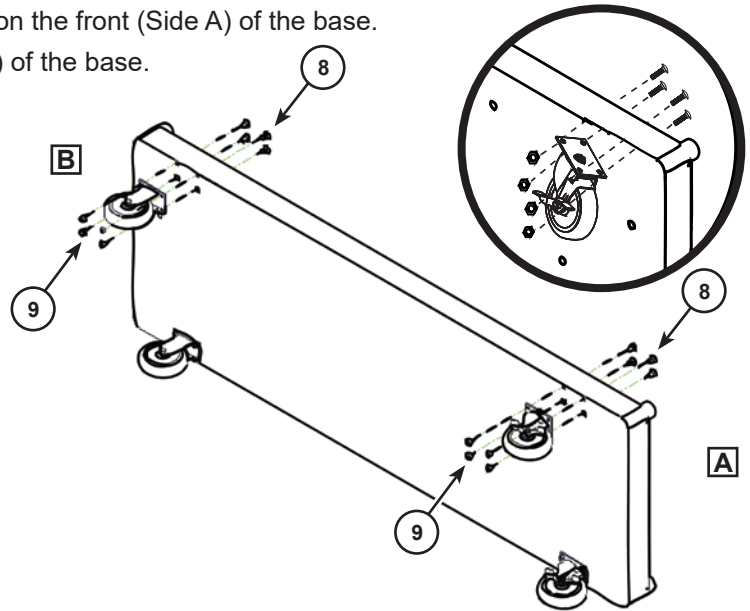
Parts List

Item	Qty	Description
1	1	Base
2	2	End Loops
3	1	Hanger Bar
4	1	Shelf
5	4	Shelf Brackets
6	2	Rigid Casters
7	2	Swivel Locking Casters
8	16	3/8-16 x 1" Button Head Cap Screw
9	20	3/8-16 Lock Nut
10	4	Self Tapping Screw
11	4	3/8-16 x 2-1/4" Button Head Cap Screw
12	8	5/16-18 x-1" Button Head Cap Screw

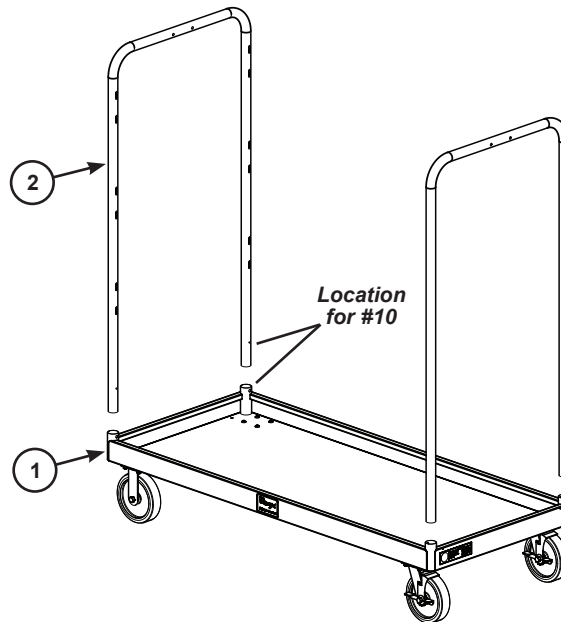


Assembly

1. Assemble casters to the base (1) using the button head cap screws (8) and lock nuts (9) with the base placed on its side on a protective flat surface like cardboard. The base may fall over if not held securely, so exercise caution.
 - Place the swivel locking casters as shown (7) on the front (Side A) of the base.
 - Place the rigid casters (6) on the back (Side B) of the base.



2. Lock the swivel locking casters and place the cart base on the floor so it is resting on the casters.
3. Insert the end loop (2) into the base support tube (1) as shown below.
Push down on the both sides of end loop for complete engagement.



4. Repeat step 3 for other side.
5. Install four self-tapping screws (10) through the slot in the base support tube (1) into the end loop (2) in the hole provided.

Assembly (continued)

- Two people are required to assemble the hanger bar (3) at the top of end loops (2) of the cart. One person should support one end of the hanger bar (3) on the end loop (2) and another person should attach the other end using the long button head cap screw, (11) and lock nut (9) (Figure 1)
- Attach other end of the hanger bar (2) (Figure 2) as defined in step 6.

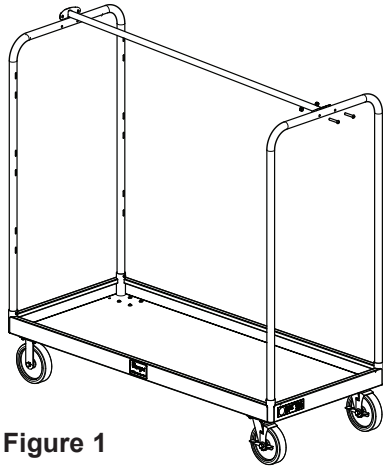


Figure 1

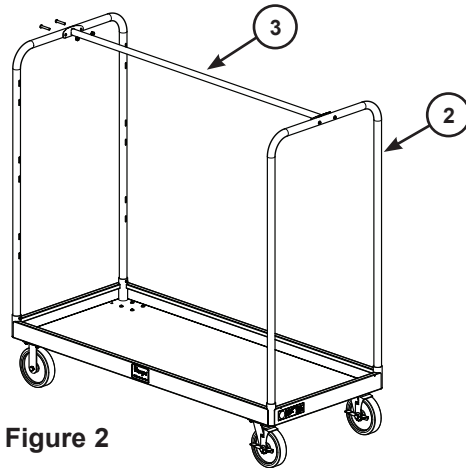


Figure 2

- Assemble shelf brackets (5) loosely to the shelf (4) as shown using the button head cap screw provided with the shelf kit. By using the upper slots, the shelf is raised when in a selected slot position. Using the lower slots will position the shelf downward. This adjustability adds clearance as needed. Note that the notch on the two shelf bracket tabs must be down so that it engages the end loop to lock in position.
- Two people are required to position the shelf in the center of the cart between the end loops (2). Slide the shelf brackets (5) out to fully engage the slots in the desired position and tighten the button head cap screws (8) securely to hold the shelf in place
- Tighten all button head cap screws and lock nuts.

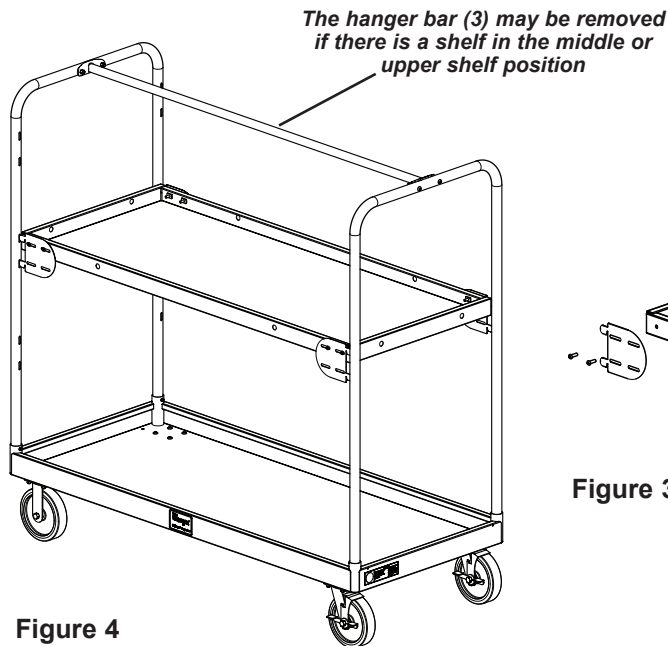


Figure 4

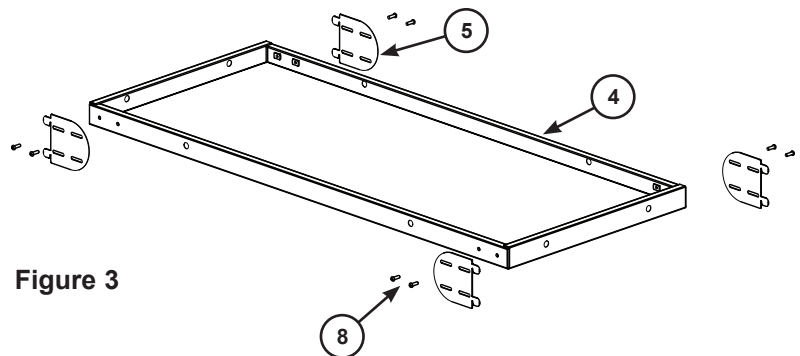


Figure 3

Operation

Use the OnBoard Cargo Cart with care. Always observe the "Safety Precautions" in these instructions. **Failure to comply with the "Safety Precautions" in these instructions can result in serious injury.**

Loading the Onboard Cargo Cart

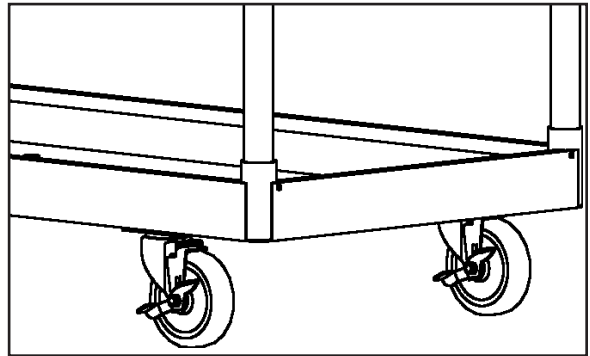
1. Always distribute loads evenly on the cart.
2. Always load the base before placing items on the other shelves.
3. Never allow any part of any load to hang outside of the cart's base edges.
4. Put heavier items on the base and lower shelf to keep the center of gravity low for stability.

Moving the Onboard Cargo Cart

1. Always make sure that the two casters are unlocked before trying to move the cart.
2. When pushing the cart, always push at about waist level or lower. Pushing at the top can tip the cart over.
3. If the cart is heavily loaded, two people should always work together to move the cart, one person pushing at the rear and one person guiding at the front. Take care to avoid stationary objects or people standing in the path of the cart.
4. Never transport people on the cart.
5. If the cart is transported in a vehicle, it must have both locking casters locked and it must be braced or strapped securely to the vehicle so that it cannot move. Bracing must use tie-downs or straps specifically designed to prevent the cart from moving in the vehicle. Padding may be used to protect the paint on the cart at the contact points.

Storage

1. When leaving the cart in a stationary position or in storage, always lock both of the locking casters by pressing the caster lock lever downward. Release the lock by lifting the caster lock lever upward or pressing down on the opposite end.



Maintenance

1. Clean the cart with a mild detergent. Avoid using harsh or abrasive cleaning products.
2. Immediately replace any caster wheels that do not rotate or turn freely.
3. Immediately replace any wheel that develops a flat area.
4. If the cart is equipped with pneumatic wheels, inspect the tire pressure regularly as the tires may lose air pressure over time. Recommended tire pressure is 50 psi (344 kPa). Do not exceed the maximum tire pressure indicated on the sidewall of the tire.

Replacement Parts

Item	Description
1	Base
2	End Loops
3	Hanger Bar
4	Shelf
5	Shelf Brackets
6	Rigid Casters
7	Swivel Locking Casters
8	3/8-16 x 1" Button Head Cap Screw
9	3/8 - 16 Lock Nut
10	Self Tapping Screw
11	3/8-16 x 2-1/4" Button Head Cap Screw
12	5/16-18 x-1" Button Head Cap Screw

